

# Optoelectronic OEM level switch

## Compact design

### Model OLS-C04, refrigerant version with transistor output

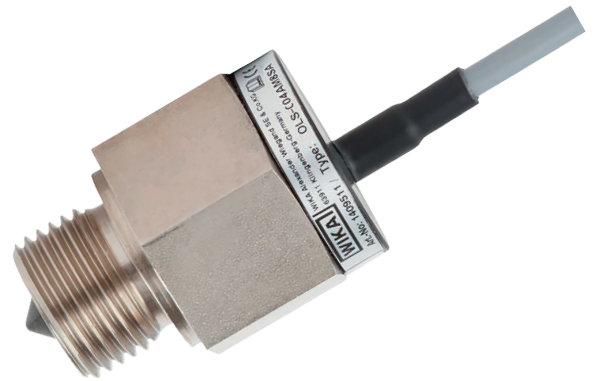
WIKA data sheet LM 31.34

#### Applications

- Level monitoring in refrigeration plants

#### Special features

- Application with refrigerants
- Mounting position as required
- Accuracy  $\pm 0.5$  mm
- Visual indication of the switching status
- Choice of electrical connections: PUR cable or connector M8



Optoelectronic OEM level switch, model OLS-C04, with cable outlet

#### Description

The model OLS-C04 optoelectronic OEM level switch is used for monitoring the level of liquids. The optoelectronic sensor consists of an infrared LED and a light receptor.

The light from the LED is directed into a prism which forms the tip of the sensor. So long as the tip is not immersed in liquid, the light is reflected within the prism to the receptor.

When the liquid rises within the vessel and surrounds the tip, the light beam is interrupted by the liquid, so that the reactor is no longer or only weakly reached by the light and reacts to this change by triggering a switching operation.

The switching status can be read directly on the sensor (red LED).

The model OLS-C04 level switch can be used in refrigeration plants, since the glass prism is fused within the steel case.

## Specifications

General data	
Measuring accuracy	±0.5 mm
Minimum distance from the glass tip to an opposite surface	≥ 10 mm
Mounting position	as required
Visual indication of the switching status	1 LED
Process connection	G 1/2" or 1/2" NPT (male)

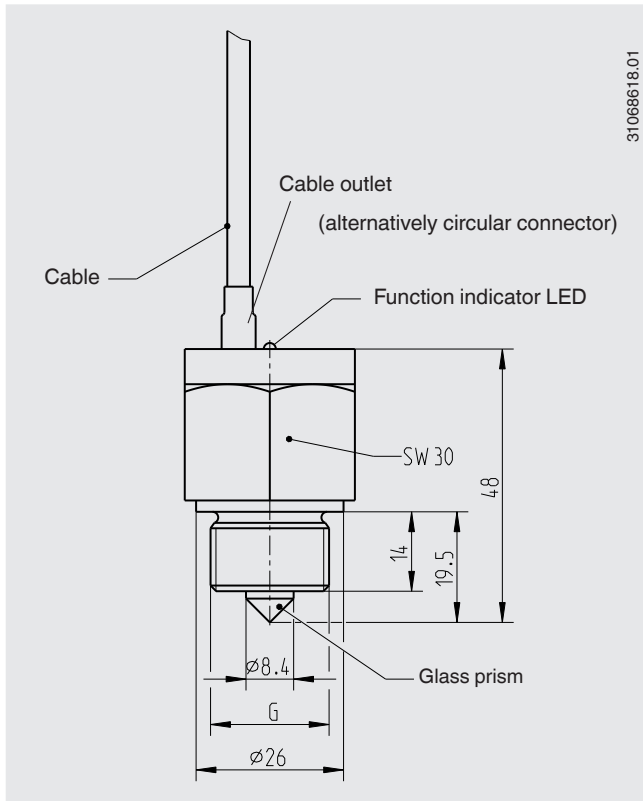
Design data	
Responsiveness	preset, please specify the medium
Medium temperature	-40 ... +100 °C
Ambient temperature	-30 ... +70 °C
Operating pressure	0 ... 4 MPa (0 ... 40 bar)
<b>Materials</b>	
■ Light guide	Glass, fused within the steel case (without sealing)
■ Case und process connection	Steel, nickel-plated

Electrical data	
Power supply	DC 12 ... 32 V
Max. current supply	40 mA
Output	PNP transistor, protected against reverse polarity
<b>Electrical connection</b>	
■ PUR cable	Standard lengths: 2 and 5 m Diameter: 3 x 0.25 mm <sup>2</sup> Cable end: cut to length
■ Circular connector	M8
Switching function	Normally open (closed in medium) or normally closed (open in medium)
Ingress protection	IP 65
Number of switch points	1

## Options

- Other versions on request
- Accessories: Circular connector M8 with cable

## Dimensions in mm



## Ordering information

Model / Process connection / Electrical connection / Switching function / Medium / Options

© 2014 WIKA Alexander Wiegand SE & Co. KG, all rights reserved.  
The specifications given in this document represent the state of engineering at the time of publishing.  
We reserve the right to make modifications to the specifications and materials.

