

Differential pressure switch Model A2G-40

WIKA data sheet PV 27.41



Applications

- For dry, clean, non-aggressive gases, usually air
- Monitoring of ventilators, blowers and filters in air-conditioning and clean room applications
- Overpressure monitoring in clean rooms and laboratories

Special features

- Easy to install and assemble
- Very reliable
- Robust case and practical design



Differential pressure switch, model A2G-40

Description

The model A2G-40 differential pressure switch, in the Δp function, monitors filters and ventilators in ventilation ducts and air shutters.

Five pressure range increments are available. The differential pressure switch is characterised by its simple mounting and high reliability.

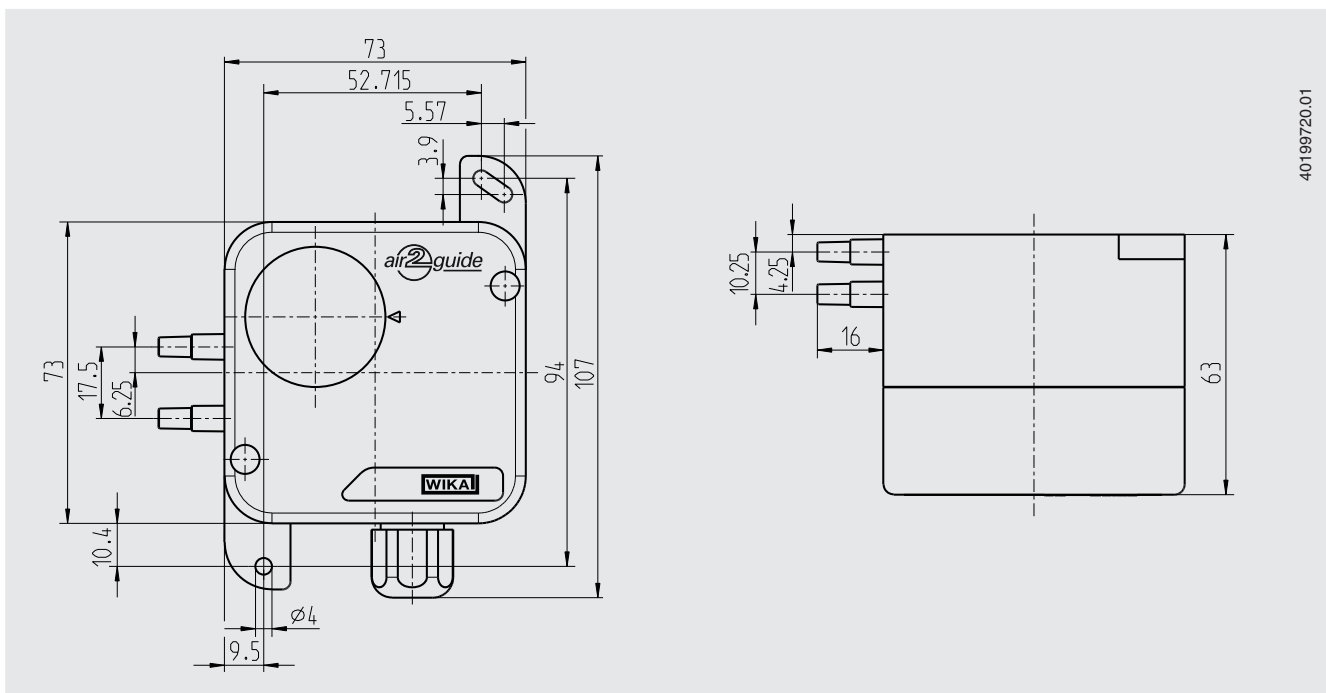
Specifications

Differential pressure switch, model A2G-40				
Accuracy of the switch point	Pressure range	Lowest limit	Highest limit	Switching differential
	30 ... 300 Pa	±5 Pa	±30 Pa	20 Pa
	30 ... 500 Pa	±5 Pa	±30 Pa	20 Pa
	40 ... 600 Pa	±5 Pa	±30 Pa	30 Pa
	100 ... 1,500 Pa	±10 Pa	±50 Pa	80 Pa
	500 ... 4,500 Pa	±50 Pa	±200 Pa	250 Pa
Type of mounting	Wall mounting			
Case	Plastic (ABS)			
Window	Polycarbonate (PC)			
Diaphragm	Silicone			
Sealings	Plastic			
Process connection	For hoses with inner diameter 4 mm or 6 mm			
Electrical connection	Cable gland M16 Screw terminals max. 1.5 mm ²			
Switching power	AC 250 V, 2 A			
Permissible temperatures	<ul style="list-style-type: none"> ■ Ambient temperature -40 ... +85 °C ■ Medium temperature -20 ... +60 °C 			
Ingress protection	IP54			
Dimensions (H x W x D)	107 x 73 x 63 mm			
Weight	150 g			

Options

- 2 duct connectors
- 2 m PVC hose, inner diameter 4 mm

Dimensions in mm



Approvals



Logo	Description	Country
	EU declaration of conformity <ul style="list-style-type: none"> ■ EMC directive ■ RoHS conformity ■ WEEE directive 	European Community

Certificates (option)

- 2.2 test report
- 3.1 inspection certificate

Approvals and certificates, see website

Accessories

Description	Order number	
Measuring hoses		
	PVC hose, inner diameter 4 mm, roll at 25 m	40217841
	PVC hose, inner diameter 6 mm, roll at 25 m	40217850
	Silicone hose, inner diameter 4 mm, roll at 25 m	40208940
	Silicone hose, inner diameter 6 mm, roll at 25 m	40208958
Duct connector for hose 4 and 6 mm	40217507	
		

Scope of delivery

- Differential pressure switch
- 2 mounting screws
- 2 duct connectors
- 2 m PVC hose

Ordering information

Model / Options

© 08/2008 WIKA Alexander Wiegand SE & Co. KG, all rights reserved.
The specifications given in this document represent the state of engineering at the time of publishing.
We reserve the right to make modifications to the specifications and materials.

