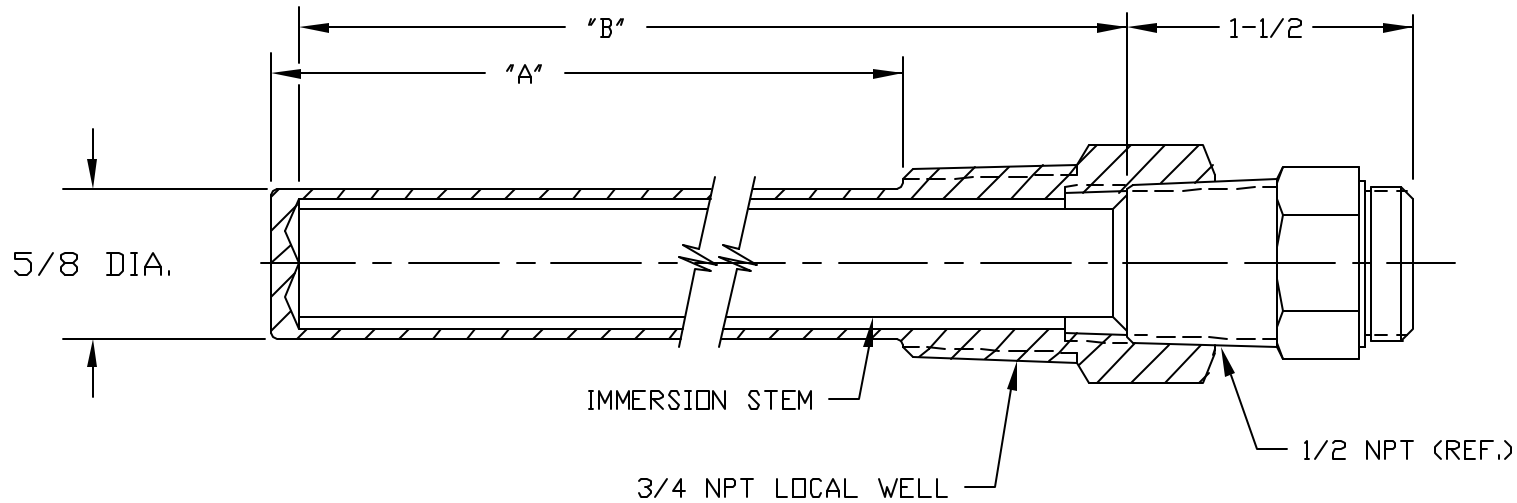


OFFERED ON TEMPERATURE PRODUCTS
 (IMMERSION STEM),
 100 400
 105
 117
 120



I275	15-9/16	15"	W281	W351
I274	12-9/16	12"	W280	W350
I273	10-9/16	10"	W279	W349
I272	8-9/16	8"	W278	W348
I271	6-9/16	6"	W277	W347
I270	4-9/16	4"	W183	W346
UE OPTION NO. IMMERSION STEM EXTENSION	LENGTH BELOW THE THREADS IMMERSION STEM "B"	LENGTH BELOW TH'DS. LOCAL WELL "A"	BRASS WELL	st/st WELL
			UE OPTION NO.	

SYM	DESCRIPTION	DATE	DWN	APPD
B	REDRAWN, REVISED st/st WELL COLUMN OF CHART. ECN# C8247	7/27/99	PLW	V.P.
A	FIRST ISSUE. ECN#C7038	1-22-98	P.W.	A.M.
REVISIONS				

ORIGINAL DATE 1-21-98
 DRWN PETER WEILER
 CHKD PETER WEILER
 APPD A.MINASSIAN

UNLESS OTHERWISE SPECIFIED
 DIMENSIONS ARE IN INCHES
 TOLERANCES ON FRACTIONS ±1/64
 2 PLACE DEC 3 PLACE DEC ANGLES
 ±.010 ±.005 ±1/2"
 DO NOT SCALE THIS DRAWING

TITLE
 THERMAL
 ASSEMBLY
 EXTENSIONS
 AND WELLS

SCALE FULL



DF002
 REV. A

UNITED ELECTRIC
 CONTROLS COMPANY
 WATERTOWN * MASSACHUSETTS

DWG NO

A-62168-999-3