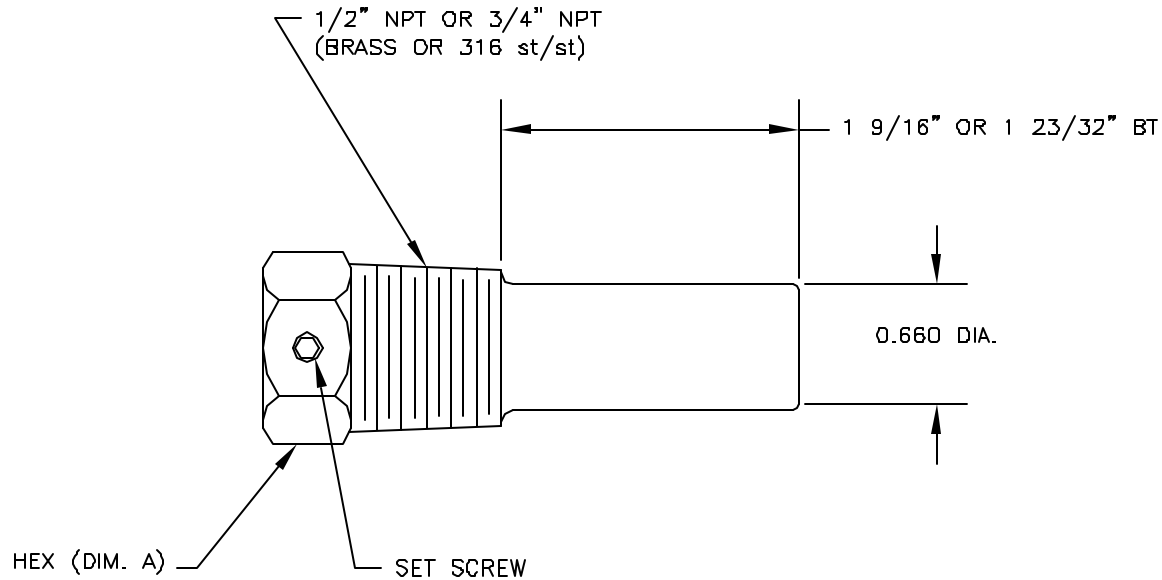



OPTION NO.	DESCRIPTION OF OPTION: BT (BELOW the THREAD)	DIM. A	OFFERED ON TEMPERATURE PRODUCTS (LOCAL THERMAL ASSEMBLY):	
W097	IMERSION STEM AND THERMOWELL. INCLUDES W000 STEM AND 1/2" NPT x 1 23/32" BT BRASS THERMOWELL	1 1/16"	54	120
W099	IMERSION STEM AND THERMOWELL. INCLUDES W000 STEM AND 1/2" NPT x 1 23/32" BT 316 st/st THERMOWELL.	1 1/8"	100	400
W139	3/4" NPT x 1 23/32" BT, BRASS	1 1/8"	105	
W140	3/4" NPT x 1 23/32" BT, 316 st/st	1 1/8"	117	
W141	1/2" NPT x 1 9/16" BT, BRASS	7/8"		
W146	1/2" NPT x 1 9/16" BT, 316 st/st	1 1/8"		



A FIRST ISSUE. ECN# E1024					12/16/04	PLW	L.K.	ORIGINAL DATE 12/16/04 DRWN PLW CHKD A.B. APPD LEVON UNLESS OTHERWISE SPECIFIED DIMENSIONS ARE IN INCHES TOLERANCES ON FRACTIONS ±1/64 2 PLACE DEC 3 PLACE DEC ANGLES ±.010 ±.005 ±1/2° DO NOT SCALE THIS DRAWING	TITLE LOCAL WELLS USED ON: SCALE NONE	DF003 REV. A  UNITED ELECTRIC CONTROLS COMPANY WATERTOWN * MASSACHUSETTS
SYM DESCRIPTION					DATE	DWN	APPD			
REVISIONS										
								DWG NO	A-62168-999-4	